

IC Series

Conductive Plastic Element

For Mounting Inside Hydraulic or Pneumatic Cylinder

STANDARD 25-900mm



This IC Conductive Plastic Element is suitable to be installed in high pressure chamber of small cylinders or large cylinders.

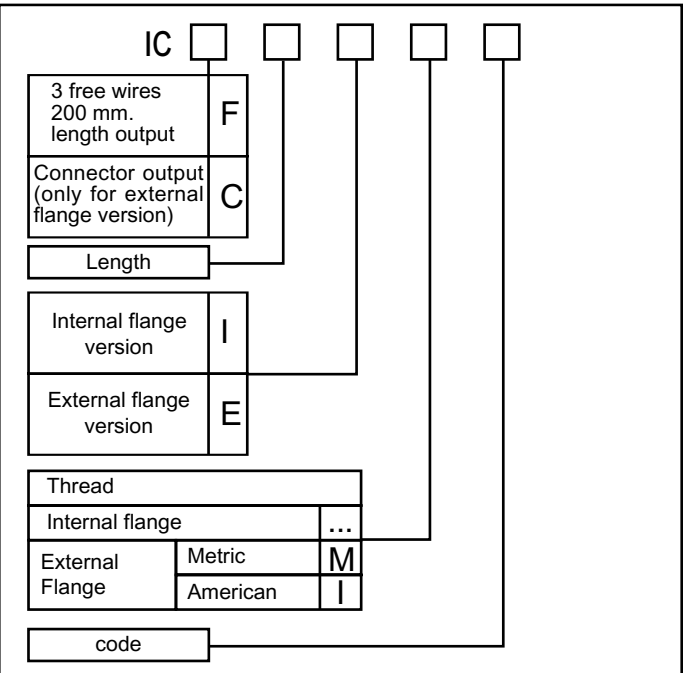
The Standard range of this element is 25~900mm. Longer range and special sizes are available on request. This element can be mechanically fixed by internal or external flange. It is suitable to be used in explosive environments with presence of groups IIA, IIB, IIC, gas and combustible powders if the element is correctly and perfectly sealed.

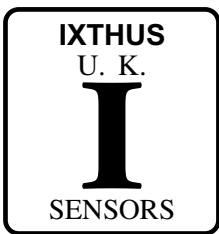
Unique Features

- Easy mechanical mounting
- Anodised Aluminium stem material
- Very Long Life
 - >100 x 10⁶ Cycles
 - >25 x 10⁶ m
- Stroke : 25-900mm
- Outstanding Linearity up to : ±0.05%
- High Resolution : Infinite
- Excellent Repeatability up to : ± 0.01mm
- Max operating speed : 5m/s max.
- ICC: 6 pole connector
- ICF: 3 free wires (200mm length)
- Operating temperature : -30 ~100°C
- Storage Temperature : -50 ~120°C
- Stainless steel AISI 303 Flange material
- Internal or external flange version

Technical Specifications		
Independent linearity		± 0.1%, ±0.05%
Current	Resistance	≤ 10mA
	Wiper	≤ 1mA
Recommended cursor current		< 0.1 μA
Electrical isolation		>100MΩ at 500V~, 1bar, 2s
Dielectric strength		<100 μA at 500V~,50Hz, 2s, 1bar
Working temperature		-30~100°C
Storage temperature		-50~120°C
Operating Force		≤ 1N

ORDER CODE





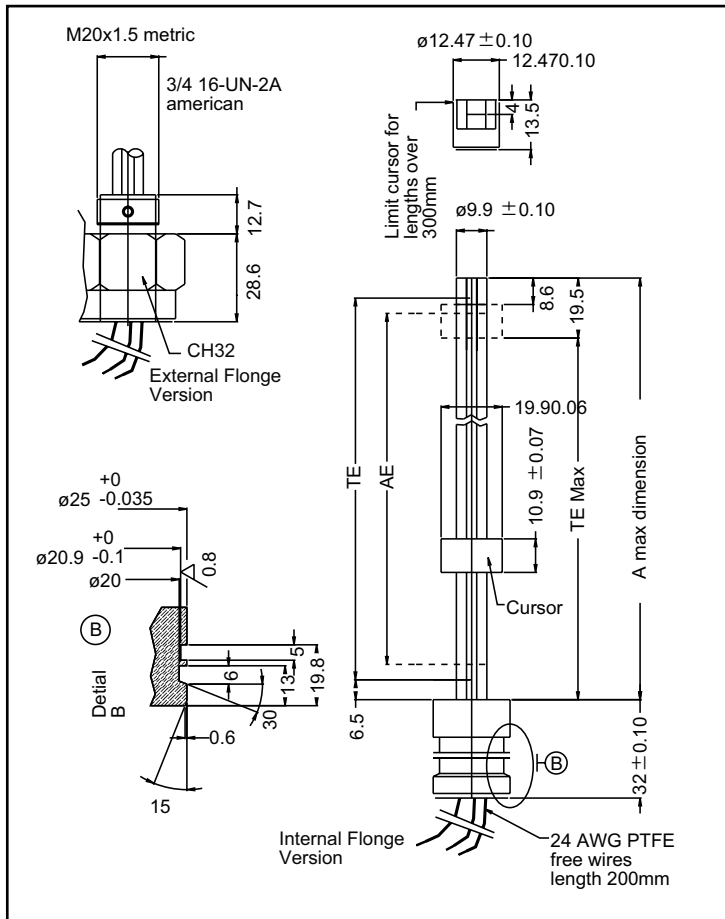
IC Series

Conductive Plastic Element

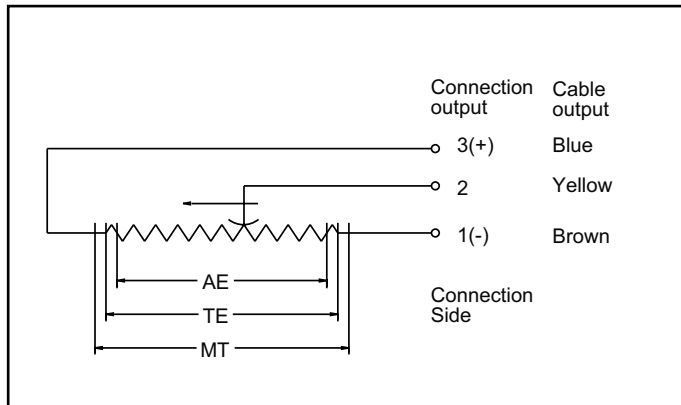
For Mounting Inside Hydraulic or Pneumatic Cylinder

STANDARD 25-900mm

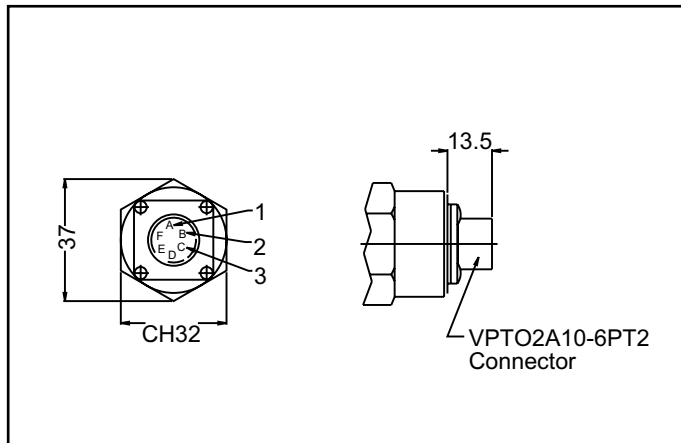
MECHANICAL DIMENSIONS



ELECTRICAL CONNECTIONS



EXT. FLANGE VERSION / CONNECTIONS



IC series		25	50	100	150	200	250	300	350	400	450	500	550	600	650	700	750	800	900	
Total Electrical Travel(T.E)	mm	35	60	110	160	210	260	310	360	410	460	510	560	610	660	710	760	810	910	
Active Electrical Travel (A.E)	mm	29	54	104	154	204	254	304	354	404	454	504	554	604	654	704	754	804	904	
Resistance ±20%	kΩ	5	5	10	10	10	10	10	10	10	10	10	10	10	10	10	10	10	10	
Independent Linearity	±%	0.1	0.1	0.1	0.1	0.1	0.1	0.1	0.1	0.1	0.1	0.1	0.1	0.1	0.1	0.1	0.1	0.1	0.1	
Mechanical Travel (M.T)	mm	29	54	104	154	204	254	304	354	404	454	504	554	604	654	704	754	804	904	
Resolution		infinite																		
Recommended Cursor Current	μA	< 1																		
Temperature Range	°C	-30 to +100																		
Dimensions (A)	mm	48.5	73.5	123.5	173.5	223.5	273.5	323.5	373.5	423.5	473.5	523.5	573.5	623.5	673.5	723.5	773.5	823.5	923.5	

* Dimensions for reference only