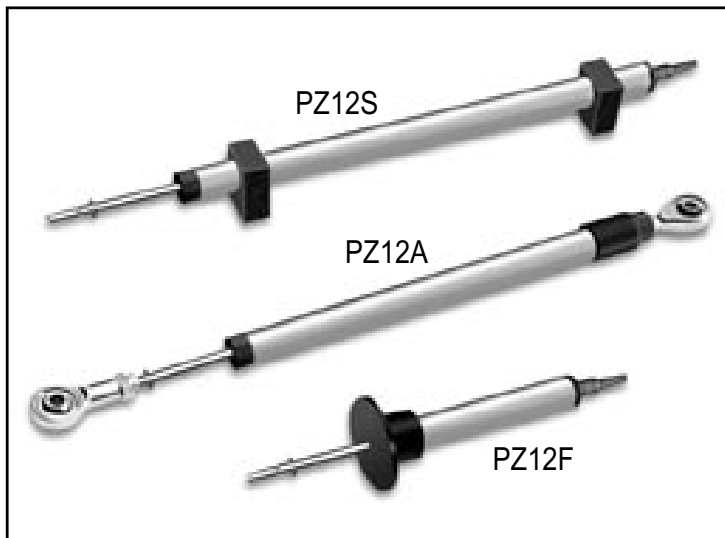


PZ12 Series

LINEAR MOTION POSITION SENSORS

Ø 12.9 Section, STANDARD 10-150mm

Pulling Rod Type



This mini position transducer is designed for direct absolute measurement and available in stroke length up to 150mm. The mini design is suitable for mounting in instruments or machines with limited space.

An improved technique for making connection to resistance track (Double Trimming Technique) ensures the higher degrees of reliability and linearity, while multi-fingers wipers stabilize output signals, even in the most adverse working conditions.

There are three ways of mountings to suit different applications.

PZ12S can be mounted by two adjustable brackets.

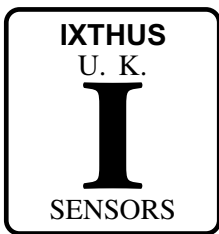
PZ12A can be mounted by self-aligning ball joints

PZ12F can be flange mounted

Unique Features

- Mini design for limited space
- Anodised Aluminium Housing
- Three mounting methods
- Very Long Life >100 x 10⁶ Cycles
>25 x 10⁶ m
- Stroke : 10-150mm
- Outstanding Linearity up to : ±0.05%
- High Resolution : Infinite
- Excellent Repeatability : ± 0.01mm
- Max operating speed : 5m/s max.
- PZ12S - two adjustable brackets
- PZ12A - two self-aligning ball joints
- PZ12F - flange mounted
- Sealing IP 60 standard (IP 65 optional)
- Fuse Protected optional
- Operating temperature : -30 ~100°C
- Storage Temperature : -50 ~120°C

Technical Specifications		
Sealing - PZ12S/PZ12A/PZ12F		IP60
Sealing - optional		IP65
Current	Resistance	≤ 10mA
	Wiper	≤ 1mA
Operating Force		≤ 0.5N (IP60) ≤ 5N (IP65)
Power Consumption		3W-10W
Output Smoothness		<± 0.1% against input voltage
Input Voltage		60 V Max
Insulation Voltage		500V-1 min Residue < 5 μA
Vibration	IEC 68-2-6:1982	10g
Shock	IEC 68-2-29:1968	40g

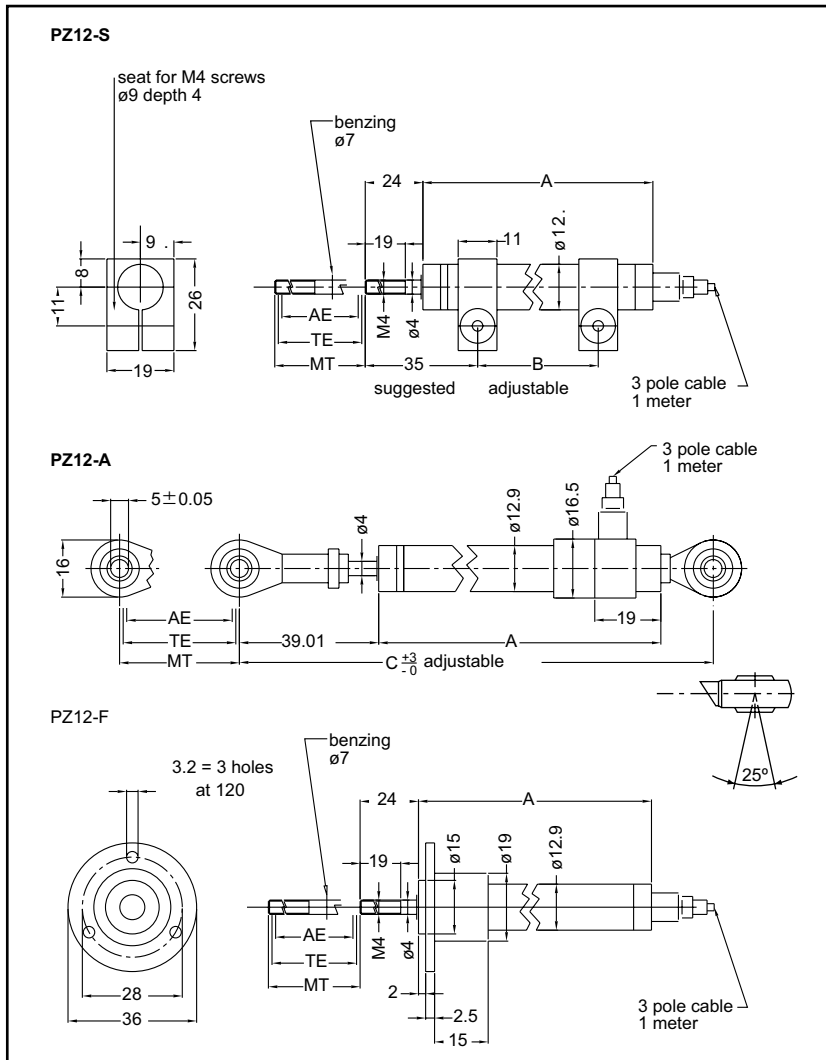


PZ12 Series

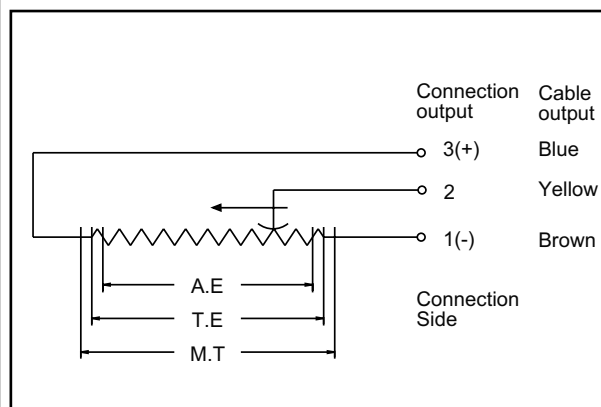
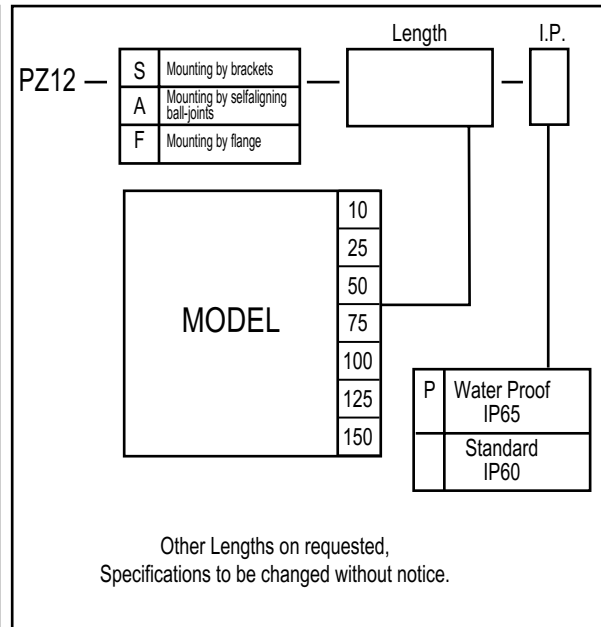
LINEAR MOTION POSITION SENSORS

Ø12.9 Section, STANDARD 10-150mm

ELECTRICAL CONNECTIONS



ORDER CODE



PZ12 series		10	25	50	75	100	125	150
Total Electrical Travel(T.E)	mm	11	26	51	76	101	126	151
Active Electrical Travel (A.E)	mm	10	25	50	75	100	125	150
Resistance ±20%	kΩ	1	1	2	3	4	5	5
Independent Linearity	±%	0.3	0.2	0.1	0.1	0.1	0.05	0.05
Mechanical Travel (M.T)	mm	15	30	55	80	105	130	155
Resolution		infinite						
Recommended Cursor Current	μA	< 1						
Temperature Range	°C	-30 to +100						
Dimensions (A) PZ12-S	mm	59.5	74.5	99.5	124.5	149.5	174.5	199.5
Dimensions (A) PZ12-A	mm	87	102	127	152	177	202	227
Dimensions (A) PZ12-F	mm	59.5	74.5	99.5	124.5	149.5	174.5	199.5
Dimensions (B)	mm	27	42	67	92	117	142	167
Dimensions (C)	mm	138	153	178	203	228	253	278
Net Weight PZ12-S	gm	30	45	55	65	75	85	95
Net Weight PZ12-A	g m	55	70	80	90	100	110	120
Net Weight PZ12-F	gm	45	60	70	80	90	100	110

* Dimensions for reference only