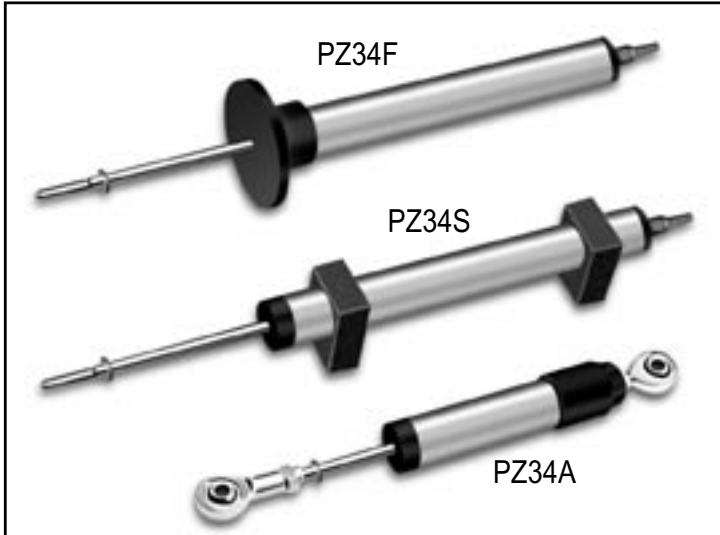


PZ34 Series

LINEAR MOTION POSITION SENSORS

Ø19 Section, STANDARD 10-250mm

Pulling Rod Type



This mini position transducer is designed for direct absolute measurement and available in stroke length up to 250mm. The mini design is suitable for mounting in instruments or machines with limited space.

An improved technique for making connection to resistance track (Double Trimming Technique) ensures the higher degrees of reliability and linearity, while multi-fingers wipers stabilize output signals, even in the most adverse working conditions.

There are three ways of mountings to suit different applications

PZ34S can be mounted by two adjustable brackets.

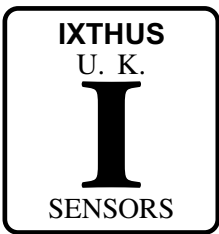
PZ34A can be mounted by self-aligning ball joints

PZ34F can be flange mounted

Unique Features

- Mini design for limited space
- Anodised Aluminium Housing
- Very Long Life >100 x 10⁶ Cycles
>25 x 10⁶ m
- Stroke : 10-250mm
- Outstanding Linearity : ±0.05%
- High Resolution : Infinite
- Excellent Repeatability up to : ± 0.01mm
- Max operating speed : 5m/s max.
- Three mounting methods
- PZ34S - two adjustable brackets
- PZ34A - two self-aligning ball joints
- PZ34F - flange mounted
- Sealing IP 60 standard (IP 65 optional)
- Fuse Protected optional
- Operating temperature : -30 ~100°C
- Storage Temperature : -50 ~120°C

| Technical Specifications | | |
|-----------------------------|------------------|-------------------------------|
| Sealing - PZ34S/PZ34A/PZ34F | | IP60 |
| Sealing - optional | | IP65 |
| Current | Resistance | ≤ 10mA |
| | Wiper | ≤ 1mA |
| Operating Force | | ≤ 0.5N (IP60) ≤ 5N (IP65) |
| Power Consumption | | 3W-10W |
| Output Smoothness | | <± 0.1% against input voltage |
| Input Voltage | | 60 V Max |
| Insulation Voltage | | 500V-1 min Residue < 5 μA |
| Vibration | IEC 68-2-6:1982 | 10g |
| Shock | IEC 68-2-29:1968 | 40g |

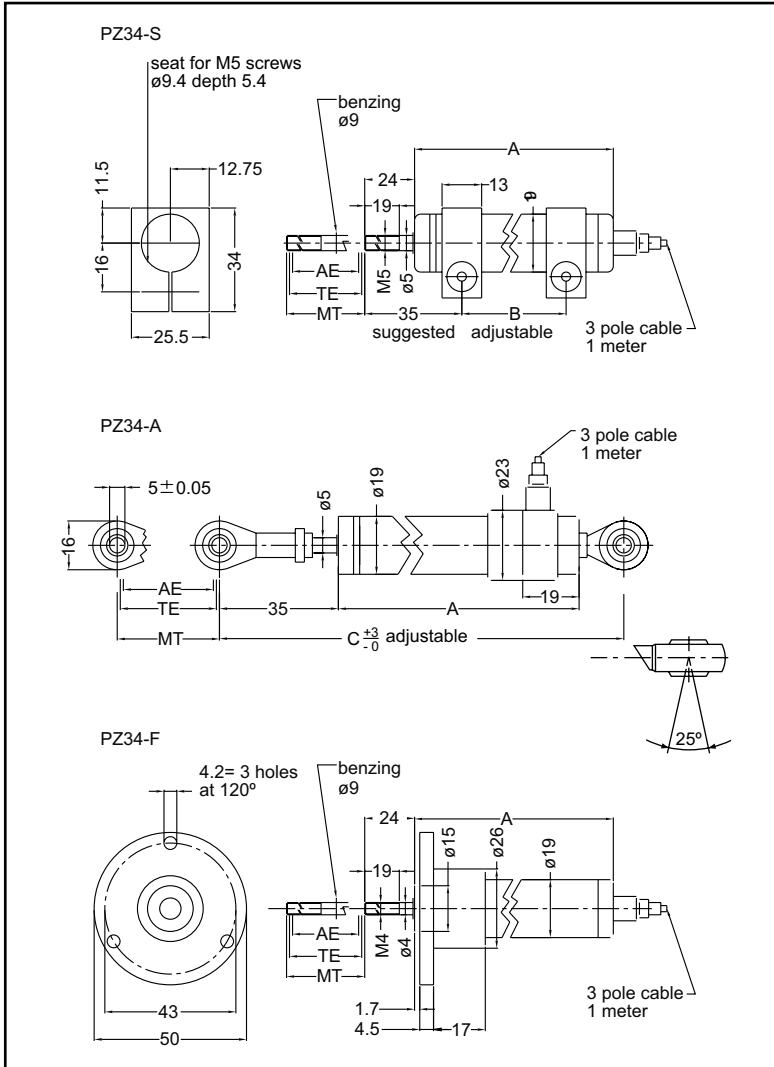


PZ34 Series

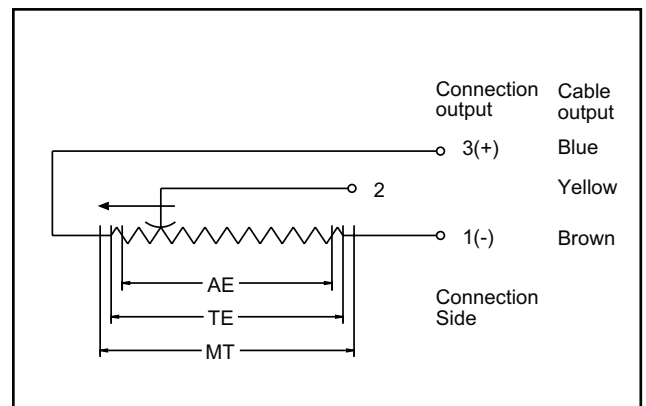
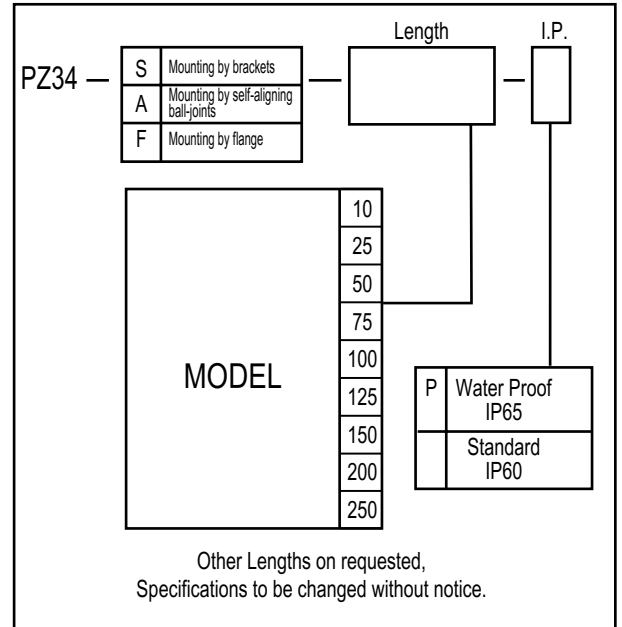
LINEAR MOTION POSITION SENSORS

Ø19 Section, STANDARD 10-250mm

ELECTRICAL CONNECTIONS



ORDER CODE



| PZ34 series | | 10 | 25 | 50 | 75 | 100 | 125 | 150 | 200 | 250 |
|--------------------------------|----|-------------|------|-------|-------|-------|-------|-------|-------|-------|
| Total Electrical Travel(T.E) | mm | 11 | 26 | 51 | 76 | 101 | 126 | 151 | 201 | 251 |
| Active Electrical Travel (A.E) | mm | 10 | 25 | 50 | 75 | 100 | 125 | 150 | 200 | 250 |
| Resistance ±20% | kΩ | 1 | 1 | 2 | 3 | 4 | 5 | 5 | 8 | 10 |
| Independent Linearity | ±% | 0.3 | 0.2 | 0.1 | 0.1 | 0.1 | 0.05 | 0.05 | 0.05 | 0.05 |
| Mechanical Travel (M.T) | mm | 15 | 30 | 55 | 80 | 105 | 130 | 155 | 205 | 255 |
| Resolution | | infinite | | | | | | | | |
| Recommended Cursor Current | µA | < 1 | | | | | | | | |
| Temperature Range | °C | -30 to +100 | | | | | | | | |
| Dimensions (A) PZ34-S | mm | 68.5 | 83.5 | 108.5 | 133.5 | 158.5 | 183.5 | 208.5 | 258.5 | 308.5 |
| Dimensions (A) PZ34-A | mm | 95 | 110 | 135 | 160 | 185 | 210 | 235 | 285 | 335 |
| Dimensions (A) PZ34-F | mm | 68.5 | 83.5 | 108.5 | 133.5 | 158.5 | 183.5 | 208.5 | 258.5 | 308.5 |
| Dimensions (B) | mm | 32 | 47 | 72 | 97 | 122 | 147 | 172 | 222 | 272 |
| Dimensions (C) | mm | 148 | 163 | 188 | 213 | 238 | 263 | 288 | 338 | 388 |
| Net Weight PZ34-S | gm | 70 | 90 | 105 | 130 | 160 | 175 | 190 | 215 | 245 |
| Net Weight PZ34-A | gm | 90 | 110 | 125 | 150 | 180 | 195 | 210 | 235 | 260 |
| Net Weight PZ34-F | gm | 80 | 100 | 115 | 140 | 170 | 185 | 200 | 225 | 255 |

* Dimensions for reference only