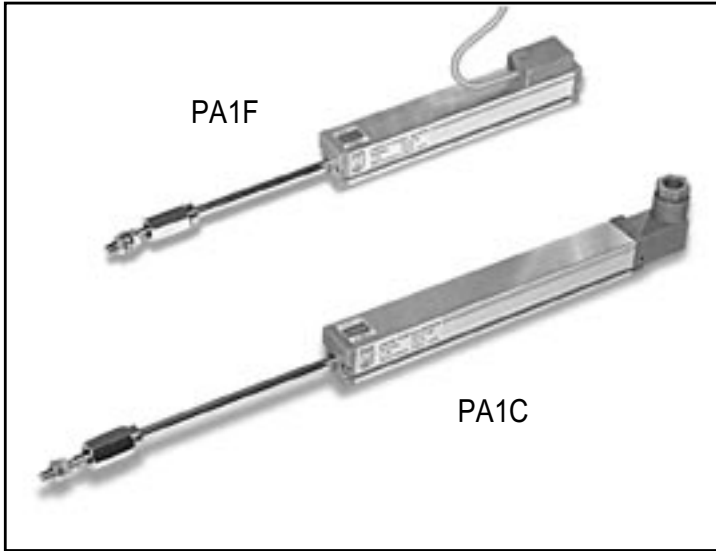


PA1

LINEAR MOTION POSITION SENSORS

Mini Series □ 18 Section, STANDARD 10-450mm

Pulling Rod Type



This mini position transducer is designed for direct absolute measurement and available in stroke length up to 450mm. The mini design is suitable for mounting in instruments or machines with limited space.

An improved technique for making connection to resistance track (Double Trimming Technique) ensures the higher degrees of reliability and linearity, while multi-fingers wipers stabilize output signals, even in the most adverse working conditions.

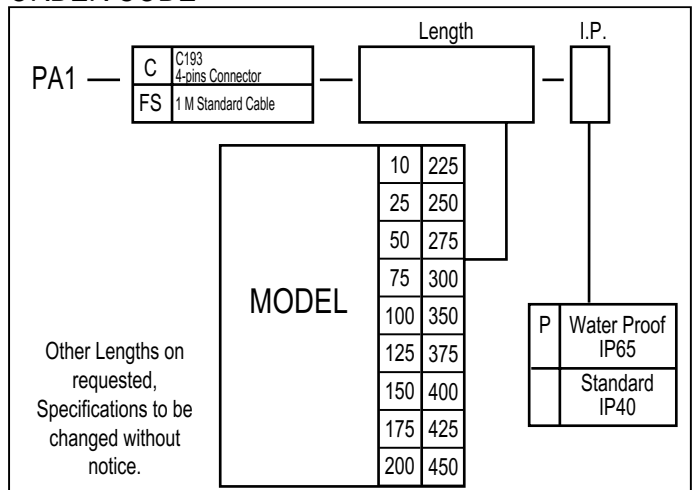
The fixing feet are adjustable to the desired positions.

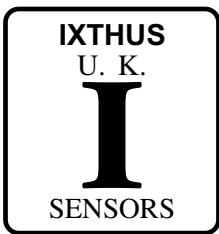
Unique Features

- Mini design for limited space
- Anodised Aluminium Housing
- Double slide and bearing
- Standard Coupling joints
- Very Long Life >100 x 10⁶ Cycles
- Stroke length : 10-450mm
- Outstanding Linearity up to : ±0.05%
- High Resolution : Infinite
- Excellent Repeatability : ± 0.01mm
- Max operating speed : 5m/s max.
- PA1C - 4-pin C193 connector
- PA1FS - standard 1m cable
- Sealing IP 40 standard (IP 65 optional)
- Fuse Protected optional
- Operating temperature : -30 ~100°C
- Storage Temperature : -50 ~120°C

Technical Specifications	
Sealing - PA1C/PA1F	IP40
Sealing - optional	IP65
Current Resistance	≤ 10mA
Wiper	≤ 1mA
Operating Force	≤ 1.2N (IP40) ≤ 5N (IP65)
Power Consumption	3W-10W
Output Smoothness	<± 0.1% against input voltage
Input Voltage	60 V Max
Insulation Voltage	500V-1 min Residue < 5 μA
Vibration	IEC 68-2-6:1982 10g
Shock	IEC 68-2-29:1968 40g

ORDER CODE

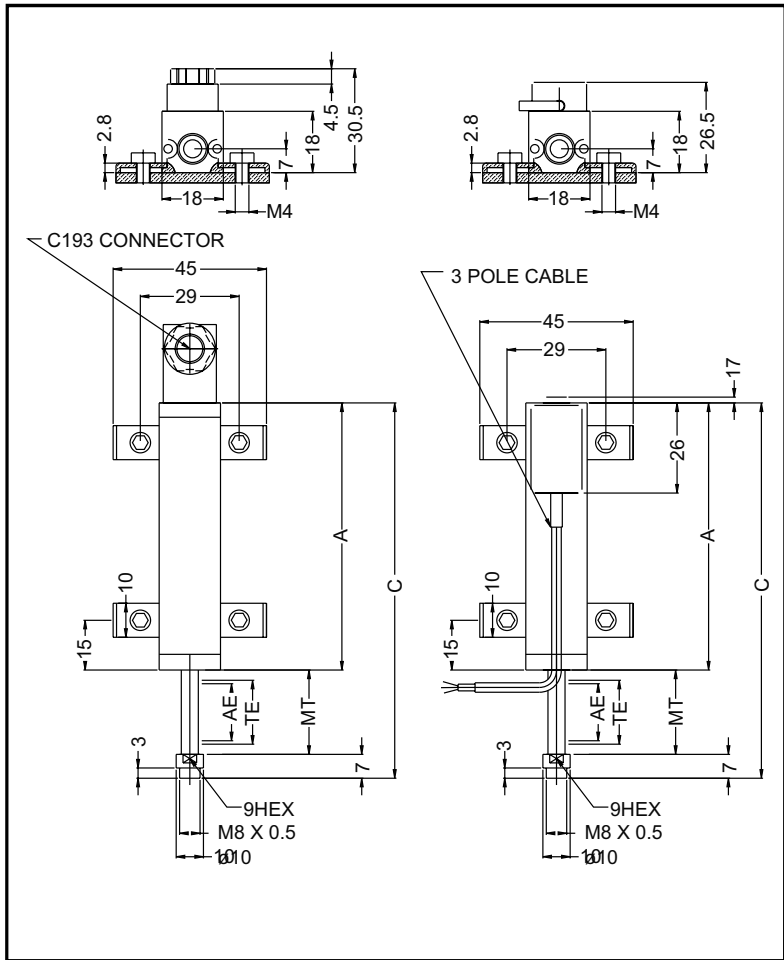




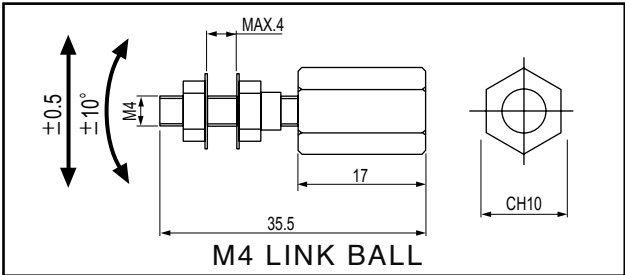
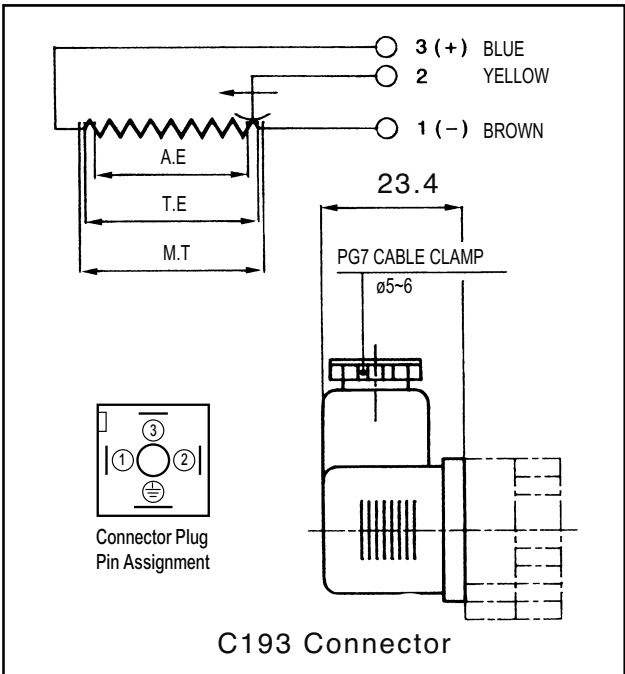
PA1

LINEAR MOTION POSITION SENSORS

Mini Series □ 18 Section, STANDARD 10-450mm



ELECTRICAL CONNECTIONS



PA1 series		10	25	50	75	100	125	150	175	200	225	250	275	300	350	375	400	425	450	
Total Electrical Travel(T.E)	mm	11	26	51	76	101	126	151	177	202	227	252	277	302	353	378	403	428	453	
Active Electrical Travel (A.E)	mm	10	25	50	75	100	125	150	176	201	226	251	276	301	352	347	402	427	452	
Resistance ±20%	kΩ	1	1	5	5	5	5	5	5	5	5	5	5	5	5	5	5	5	5	
Independent Linearity	±%	0.3	0.2	0.1	0.1	0.1	0.05	0.05	0.05	0.05	0.05	0.05	0.05	0.05	0.05	0.05	0.05	0.05	0.05	
Mechanical Travel (M.T)	mm	15	30	55	80	105	130	155	180	205	230	255	280	305	355	380	405	430	455	
Resolution		infinite																		
Recommended Cursor Current	μA	< 1																		
Temperature Range	°C	-30 to +100																		
Dimensions (A)	mm	59.5	74.5	99.5	124.5	149.5	174.5	199.5	224.5	249.5	274.5	299.5	324.5	349.5	399.5	424.5	449.5	474.5	499.5	
Dimensions (C)	mm	83.2	113.2	163.2	213.2	263.2	313.2	363.2	413.2	463.2	513.2	563.2	613.2	663.2	763.2	813.2	863.2	913.2	963.2	

* Dimensions for reference only