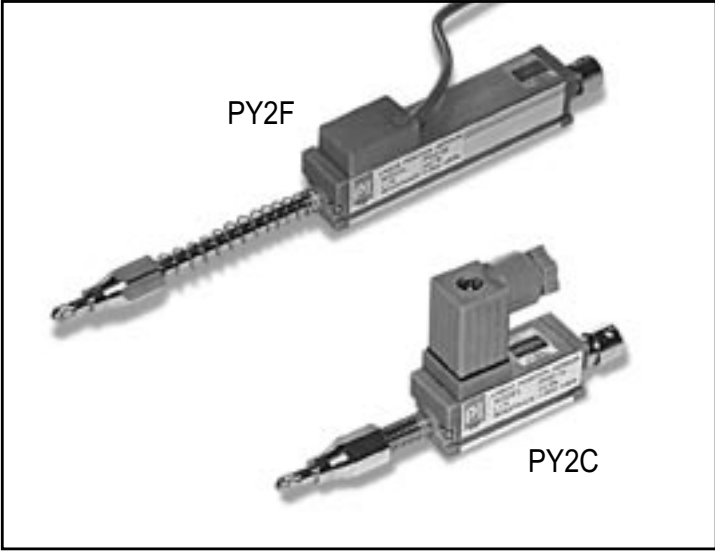


Ball Head Pre-loaded Spring Type



This mini position transducer is designed for direct absolute measurement and available in stroke length up to 50mm. The mini design is suitable for mounting in instruments or machines with limited space and specially design for cam-following application.

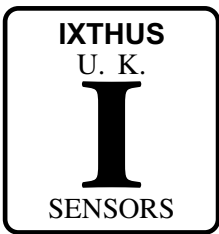
An improved technique for making connection to resistance track (Double Trimming Technique) ensures the higher degrees of reliability and linearity, while multi-fingers wipers stabilize output signals, even in the most adverse working conditions.

The fixing feet are adjustable to the desired positions.

Unique Features

- Harden steel ball head for measurement of cam-following application
- Mini design for limited space
- Anodised Aluminium Housing
- Double slide and bearing
- Very Long Life >100 x 10⁶ Cycles
- Stroke >25 x 10⁶ m
- Outstanding Linearity up to : ±0.1%
- High Resolution : Infinite
- Excellent Repeatability : ± 0.01mm
- Max operating speed : 5m/s max.
- PY2C - 4-pin C193 connector
- PY2FS - standard 1m cable
- Sealing IP 40 standard (IP 65 optional)
- Fuse Protected optional
- Anti - rotating shaft device optional

Technical Specifications	
Sealing - PY2C/PY2FS	IP40
Sealing - optional	IP65
Current Resistance	≅ 10mA
Wiper	≅ 1mA
Operating Force	≅ 1.2N (IP40) ≅ 5N (IP65)
Power Consumption	3W-10W
Output Smoothness	<± 0.1% against input voltage
Input Voltage	60 V Max
Insulation Voltage	500V-1 min Residue < 5 μA
Vibration	IEC 68-2-6:1982 10g
Shock	IEC 68-2-29:1968 40g

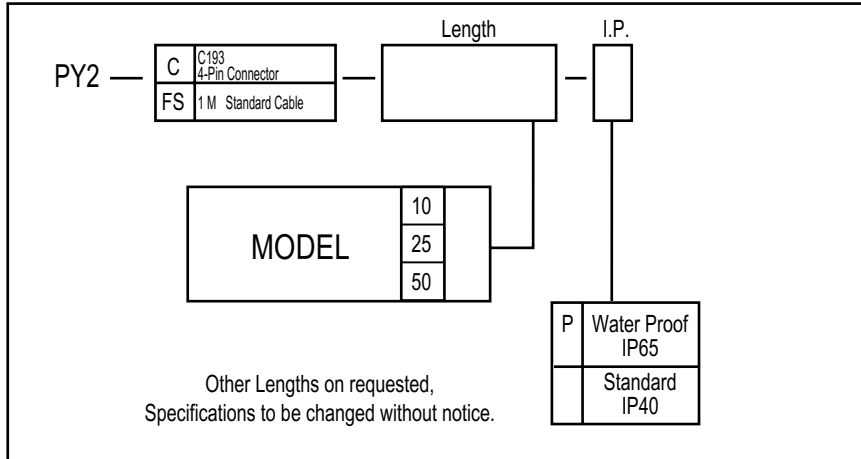


PY2

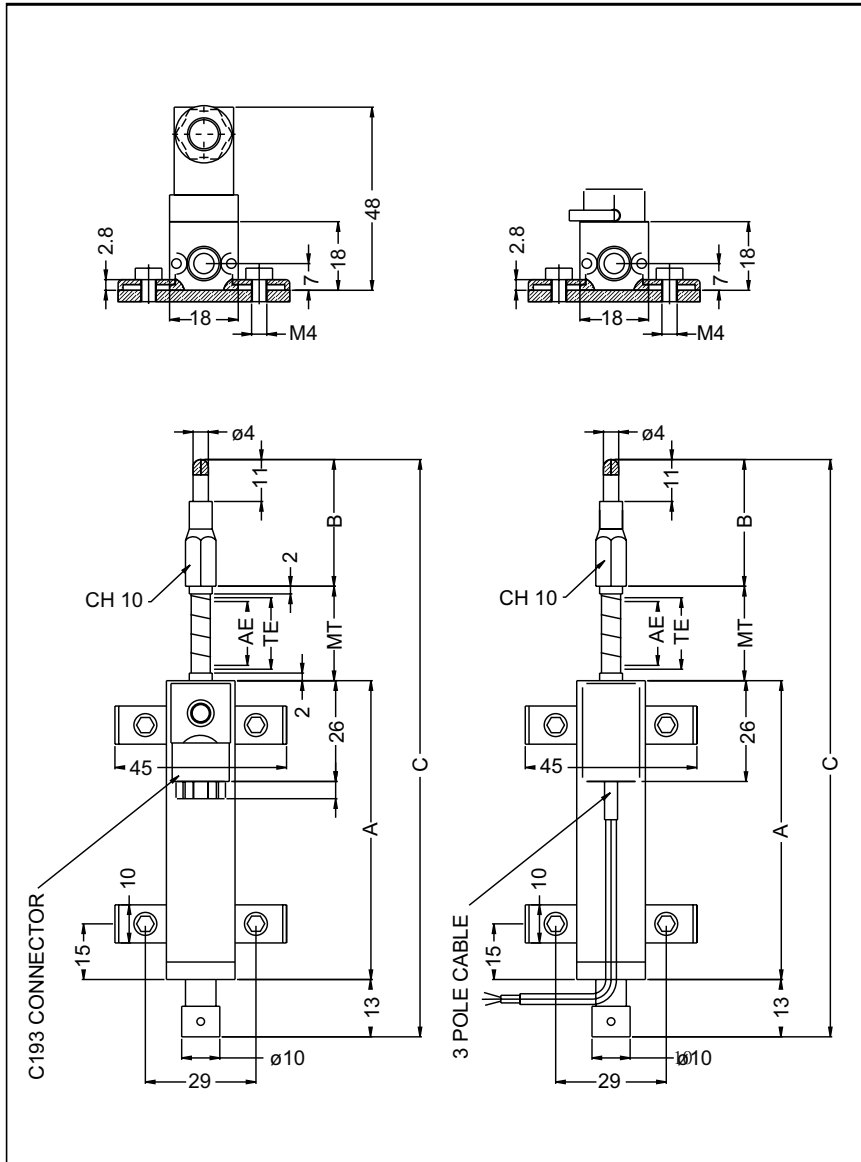
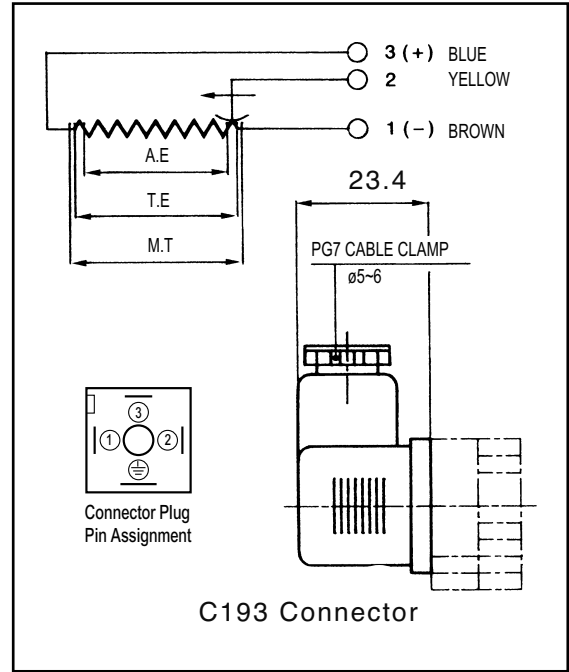
LINEAR MOTION POSITION SENSORS

Mini Series □ 18 Section, STANDARD 10-50mm

ORDER CODE



ELECTRICAL CONNECTIONS



PY2 series		10	25	50
Total Electrical Travel(T.E)	mm	11	26	51
Active Electrical Travel (A.E)	mm	10	25	50
Resistance ±20%	kΩ	1	1	5
Independent Linearity	±%	0.3	0.2	0.1
Mechanical Travel (M.T)	mm	15	30	55
Resolution		infinite		
Recommended Cursor Current	μA	< 1		
Temperature Range	°C	-30 to +100		
Dimensions (A)	mm	48	63	88
Dimensions (B)	mm	32	32	40
Dimensions (C)	mm	108	138	196

* Dimensions for reference only